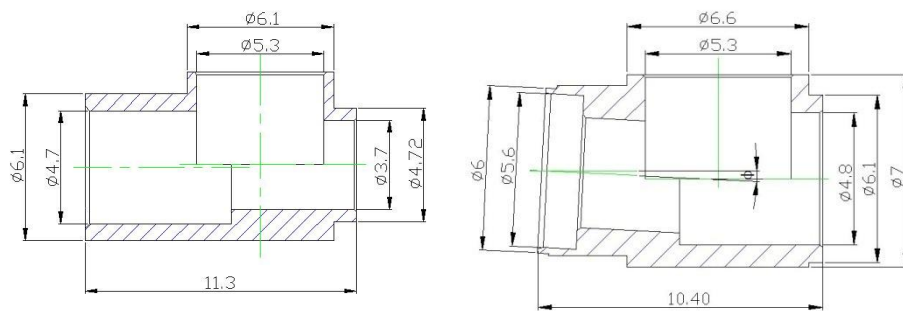


Product Specification

——BOSA Base

- 1、 Application Range
Optical transceiver component interface;
- 2、 Materials:
Use Japanese stainless steel, such as SUS304/ SUS304L/ SUS303 etc.
All materials comply with the ROHS directive requirement—2011-65-EU.
- 3、 Structure sketch: Straight bore/slant bore



- 4、 Product pictures:



- 5、 Performance index: Symmetry, verticality, concentricity and dimensional accuracy etc.

Category	Technical requirements(unit:mm)	Remarks
Symmetry	≤0.035	
verticality	≤0.02	
concentricity	≤0.01	



6、Visual inspection standard

See FT-QT14-305-2009 《Visual Inspection standard on conventional stainless products》