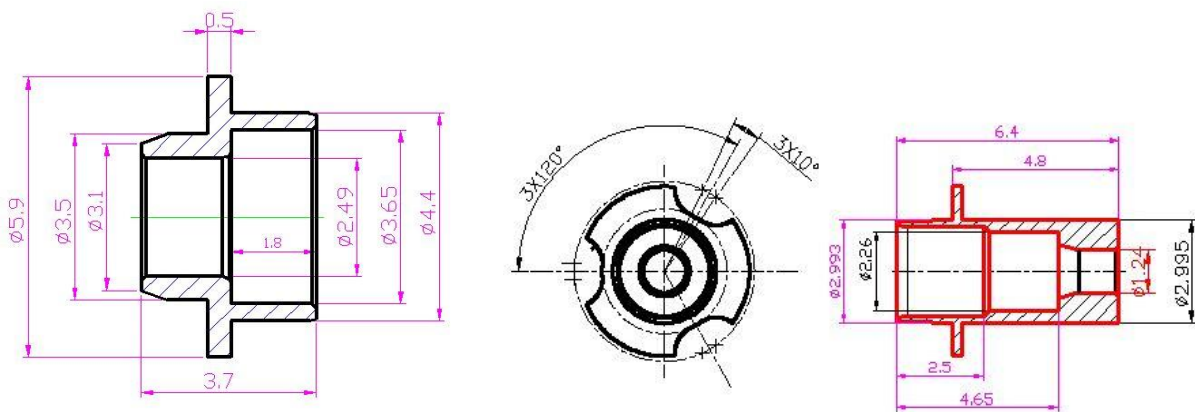


Product Specification

——Receptacle Holder

- 1、 Application Range
Optical transceiver component interface;
- 2、 Materials:
Use Japanese stainless steel, such as SUS304/SUS304L etc.
All materials comply with the ROHS directive requirement—2011-65-EU.
- 3、 Structure sketch



- 4、 Product pictures:



- 5、 Performance index: Symmetry, verticality, concentricity and dimensional accuracy etc.

Category	Technical requirements(unit:mm)	Remarks
Concentricity	≤ 0.01	
Roughness Ra	0.4	
Verticality	≤ 0.01	
Flatness	≤ 0.01	



6、 Visual inspection standard

See FT-QT14-305-2009 《Visual Inspection standard on conventional stainless products》