

# Product Specification

## ——Receptacle Holder

### 1、 Application Range

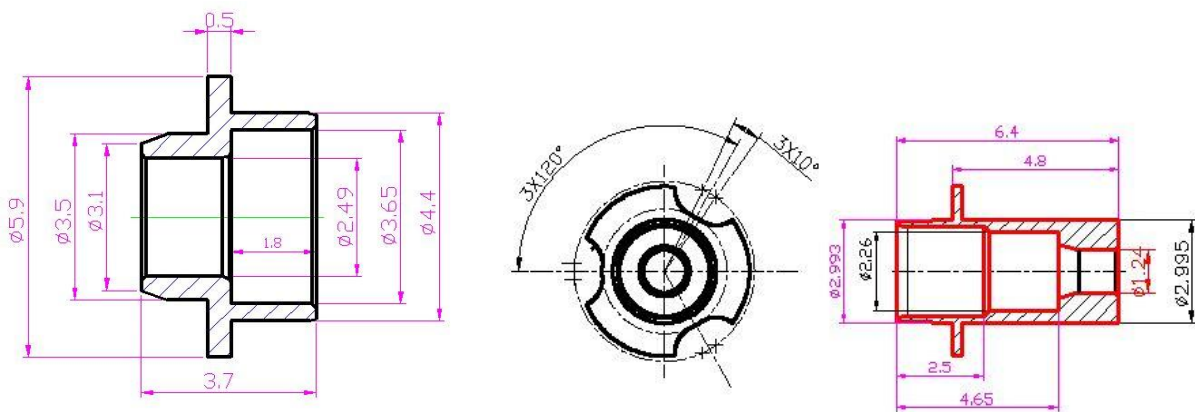
Optical transceiver component interface;

### 2、 Materials:

Use Japanese stainless steel, such as SUS304/SUS304L etc.

All materials comply with the ROHS directive requirement—2011-65-EU.

### 3、 Structure sketch



### 4、 Product pictures:



### 5、 Performance index: Symmetry, verticality, concentricity and dimensional accuracy etc.

Category	Technical requirements(unit:mm)	Remarks
Concentricity	$\leq 0.01$	
Roughness Ra	0.4	
Verticality	$\leq 0.01$	
Flatness	$\leq 0.01$	



## 6、 Visual inspection standard

See FT-QT14-305-2009 《Visual Inspection standard on conventional stainless products》